

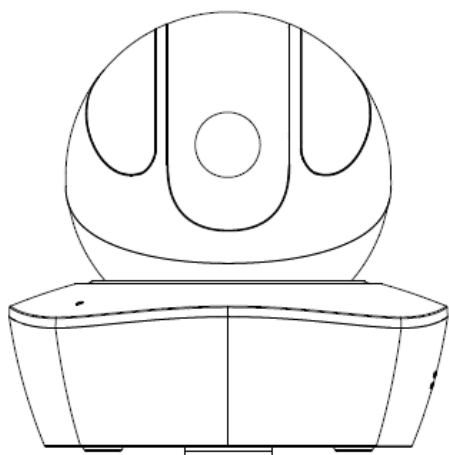


Dahua A Series HD Wi-Fi Network Camera Quick Start Guide

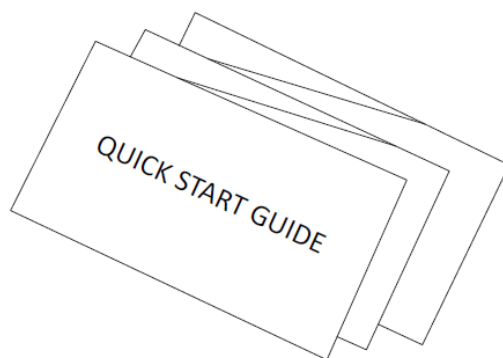
V 1.0.1

Dahua Technology CO., LTD

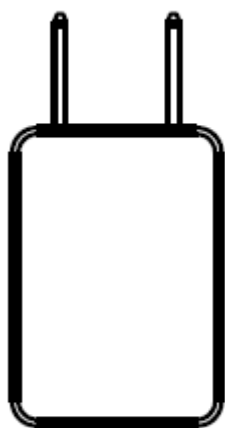
1 Packing List



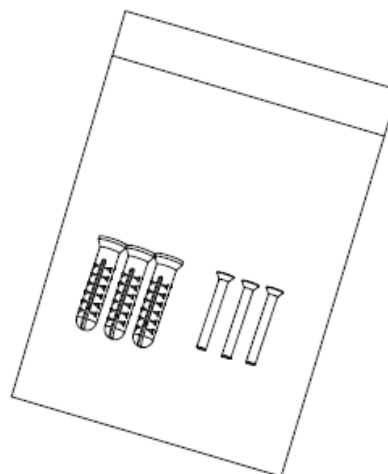
Device × 1



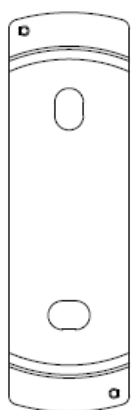
QSG × 1



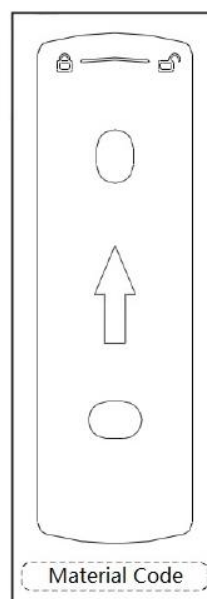
Power Adapter × 1



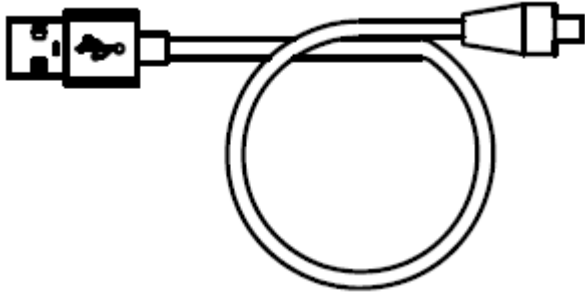
Screw Package × 1



Quick Installation Board × 1



Installation Position Map × 1



USB × 1

2 Product Appearance

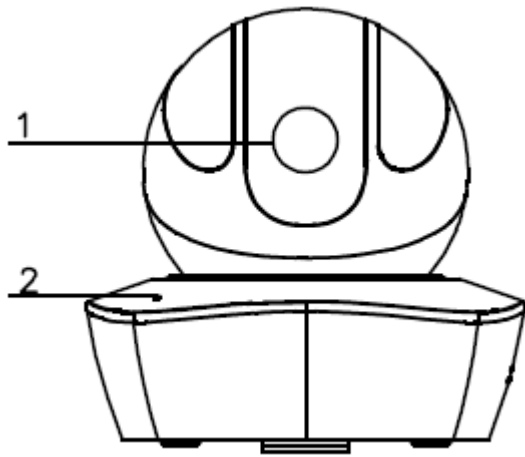


Figure 2-1

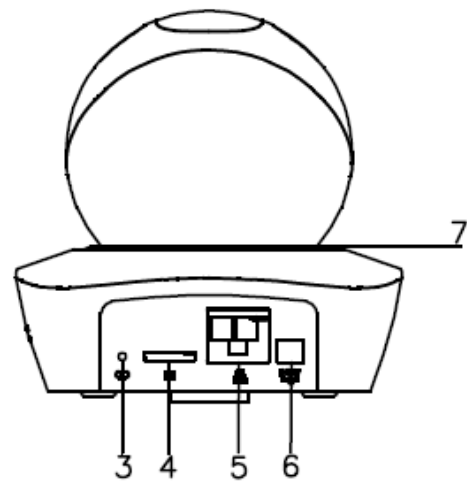


Figure 2-2

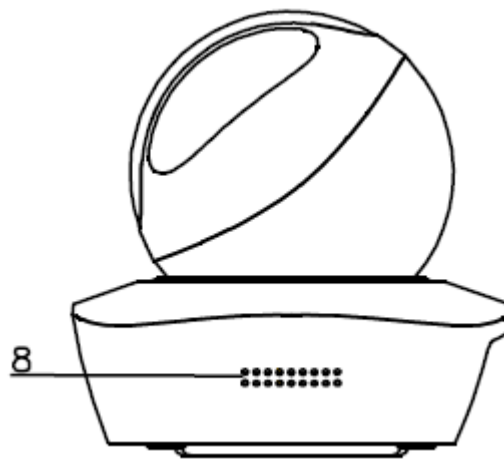


Figure 2-3

Please refer to the following sheet for more details about each port.

SN	Name
1	Lens
2	MIC
3	Reset/WPS button
4	Micro SD card slot
5	Network port
6	Power port
7	Indicator light
8	Loudspeaker

Note:

For reset, long press for 8 seconds and then the light off; For WPS, one quick press.

Please refer to the following sheet for more details about status of indicator light.

Device status	Indicate light status
Red light spinning	Booting, device malfunction, fail to boot up
Green light spinning	Booting completed, await wifi config, enter smart config status;
Green light breathing	Wifi smart config in progress, including WPS, management frame and etc.
Blue light normally on	Wifi connection succeeded, operate normally.
Blue light flashing	Device upgrade
Yellow light breathing	Network connection failure or disconnection after network connection success.
Red light breathing	Alarm or SD card malfunction

Sheet 2-2

3 Operate by Easy4ip APP

Step 1

Power on the device with power adapter.

Step 2

Connect your smart phone to your WiFi network. Scan the “Easy4ip APP” QR on the packing box, download and install the Easy4ip APP.

Step 3

Open Easy4ip APP (take IOS as an example), tap login to login the APP (Please register for first use).

Step 4

Tap “+” to add devices.

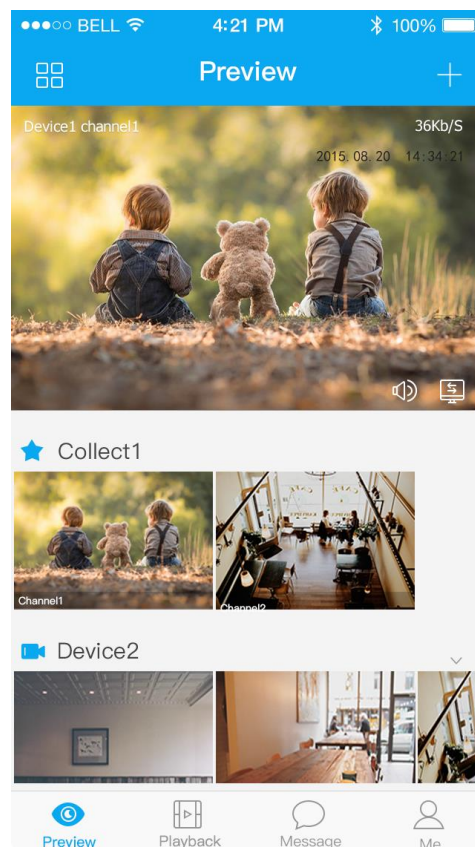


Figure 3-1

Step 5

Choose “Wireless”.



Figure 3-2

Step 6

Name the camera and scan the QR code on camera.

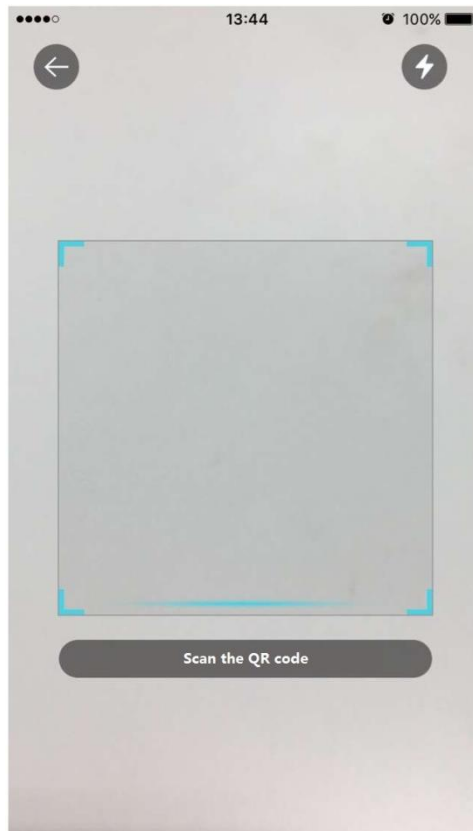


Figure 3-3

Step 7

Input the Wi-Fi password.

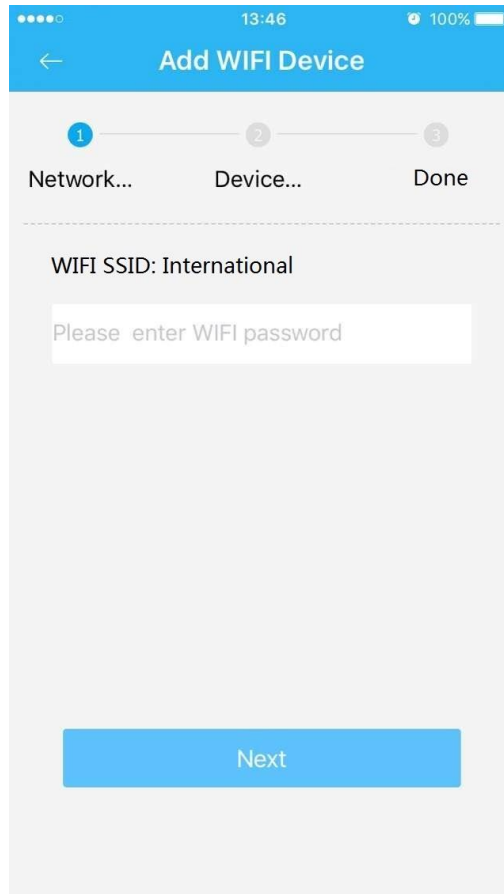


Figure 3-4

Step 8

Waiting for 60s to finish the Wi-Fi connection.

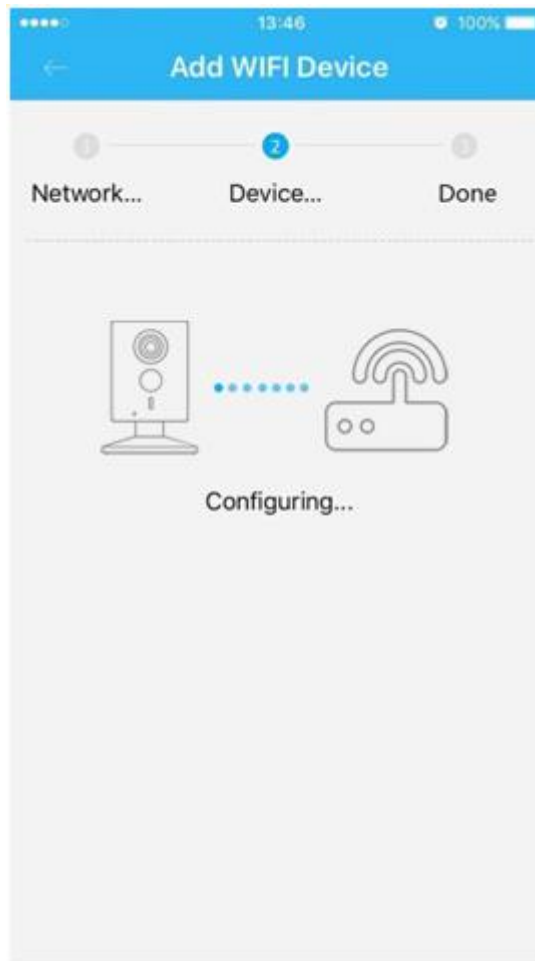


Figure 3-5

Note: If you want to change the Wi-Fi signal, please reset the camera to factory default and repeat step 5-8;

4 Operate by DMSS APP

Step 1

Power on the camera.

Step 2

Connect iPhone to a WiFi signal.

Step 3

Open DMSS (downloaded from APP Store), choose Device Manager.

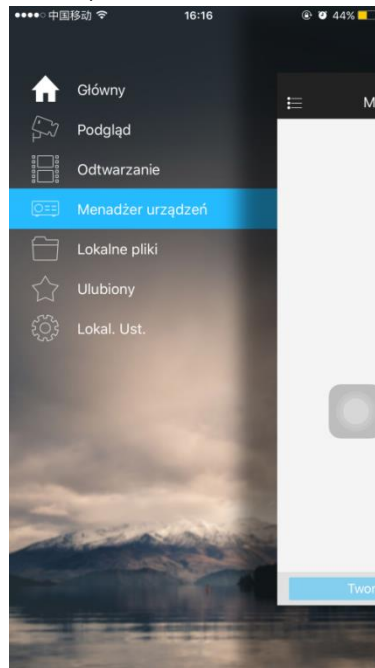


Figure 4-1

Step 4

Click "+", then choose "WiFi configuration".

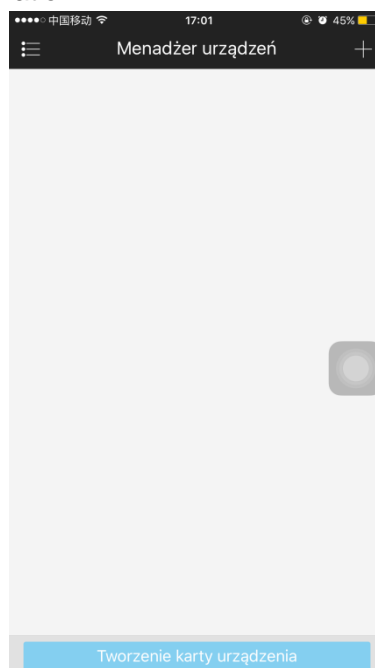


Figure 4-2

Step5

Input a device name and scan the QR code on camera, then "next".

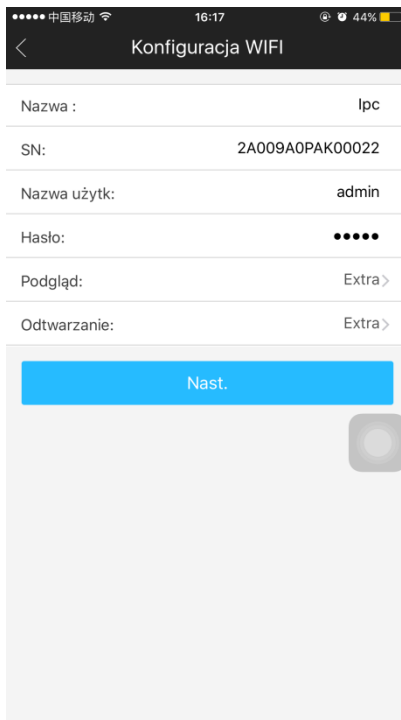


Figure 4-3

Step 6

Input the WiFi password, then “next”.

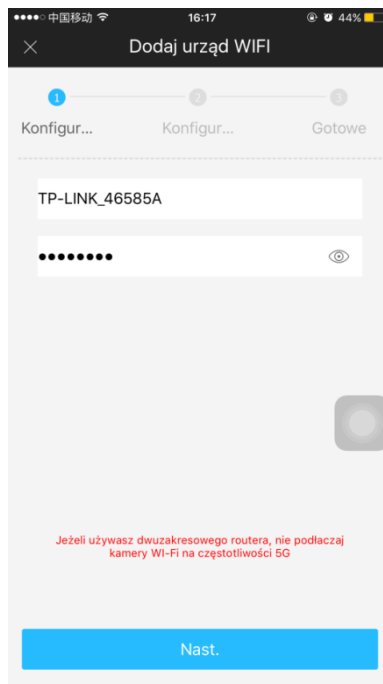


Figure 4-4

Step 7

Connection succeeds.

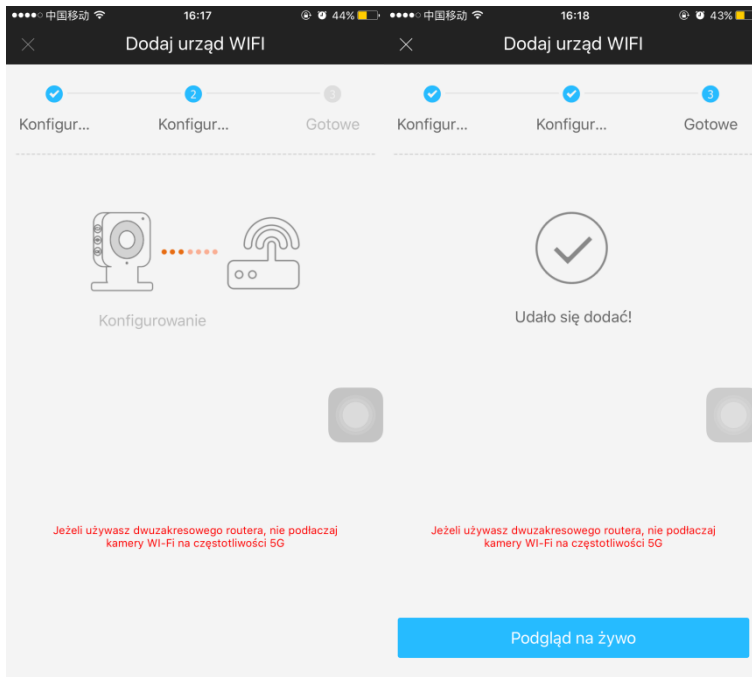


Figure 4-5

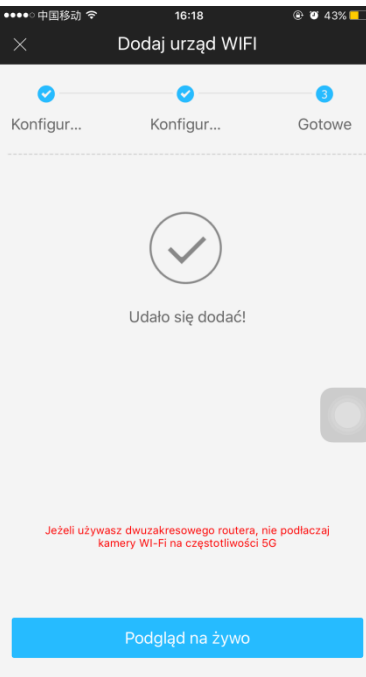


Figure 4-6

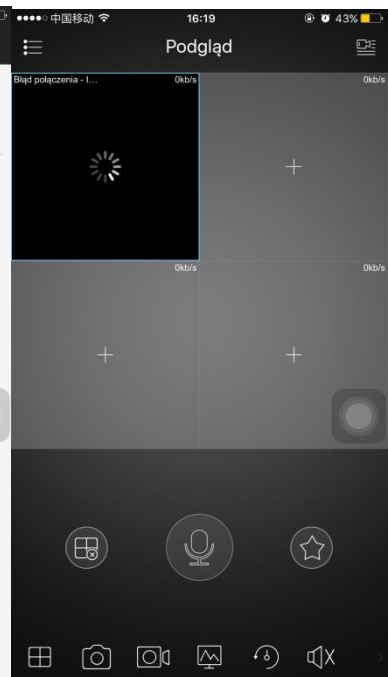


Figure 4-7

Note:

Please try again or check the WiFi password if it failed.

The WiFi configuration will be closed if activating WPS function, Please reset the device if you still need to configure WiFi via DMSS App.

5 Device Installation

Important

Before the installation, please make sure the installation environments can at least support 3x weight of the camera.

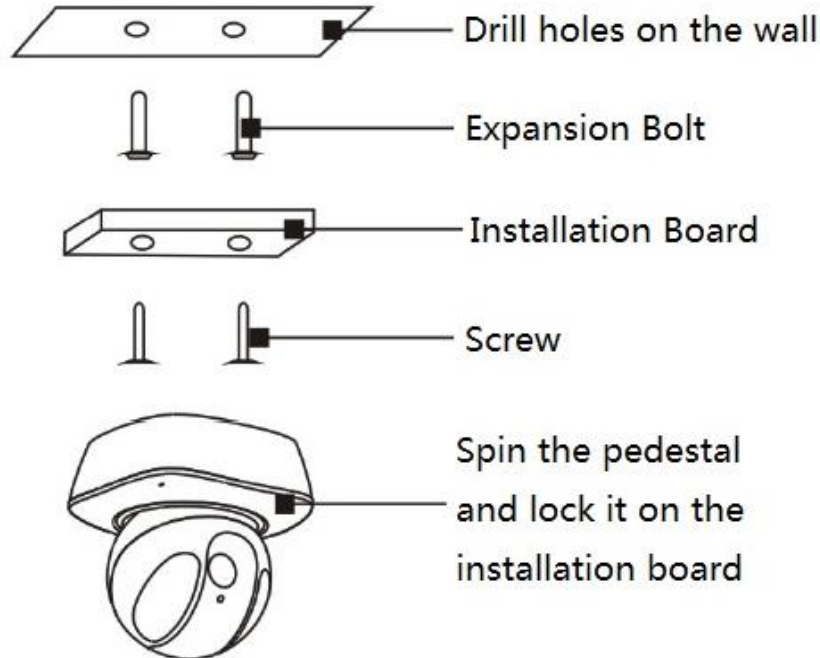


Figure 5-1

Note:

- This quick start guide is for reference only. Slight difference may be found in user interface.
- All the designs and software here are subject to change without prior written notice.
- All trademarks and registered trademarks mentioned are the properties of their respective owners.
- If there is any uncertainty or controversy, please refer to the final explanation of us.
- Please visit our website or contact your local service engineer for more information.



Dahua Technology Co., Ltd

Address: No.1199 Bin'an Road, Binjiang District, Hangzhou, PRC.

Postcode: 310053

Tel: +86-571-87688883

Fax: +86-571-87688815

Email: overseas@dahuatech.com

Website: www.dahuasecurity.com