

CSS610-8G-2S+IN - User manuals - MikroTik

 help.mikrotik.com/docs/pages/viewpage.action



CSS610-8G-2S+IN



Safety Warnings

Before you work on any equipment, be aware of the hazards involved with electrical circuitry, and be familiar with standard practices for preventing accidents.

Ultimate disposal of this product should be handled according to all national laws and regulations.

The Installation of the equipment must comply with local and national electrical codes. Failure to use the correct hardware or to follow the correct procedures could result in a hazardous situation to people and damage to the system.

Read the installation instructions before connecting the system to the power source.

Quick start

- Install the device into the rackmount;
- Connect with your computer to any of the Ethernet ports;
- Connect the power source;
- In your computer, set the IP address to static: 192.168.88.2/24
- Open your web browser and enter the IP address of your Switch (192.168.88.1 by default) and the login screen will appear.
- We recommend clicking the "Check for updates" button and updating your software to the latest version to ensure the best performance and stability. Must have an active Internet connection.
- Or download the latest SwitchOS software version from <https://mikrotik.com/download>;
- Set up your password to secure the device.

Powering

The device accepts power from the power jack or from the first Ethernet port (Passive PoE).

- Direct-input power jack (5.5mm outside and 2mm inside, female, pin positive plug) accepts 12-57V DC.
- The first Ethernet port accepts passive PoE input 12-57V DC.
- Power consumption 5 W, with attachments 11 W.

Connecting to a PoE Adapter:

1. Connect the Ethernet cable from the device to the PoE+DATA port of the PoE adapter.
2. Connect an Ethernet cable from your local network (LAN) to the PoE adapter.
3. Connect the power cord to the adapter, and then plug the power cord into a power outlet.

Configuration

SwOS includes many configuration options in addition to what is described in this document. We suggest starting here to get yourself accustomed to the possibilities: <https://mt.lv/help>.

For recovery purposes, it is possible to boot the device for reinstallation, see section [Buttons and Jumpers](#).

First-time configuration <https://wiki.mikrotik.com/wiki/SwOS/CSS610>;

The device upgrade <https://mt.lv/upgrade>;

Extension slots and ports

- Eight individual Gigabit Ethernet ports, supporting automatic cross/straight cable connection (Auto MDI/X), so you can use either straight or cross-over cables for connecting to other network devices;
- 2 SFP+ ports for using 10G SFP+;

Specifications

Please visit wiki pages for the MikroTik SFP module compatibility table: https://wiki.mikrotik.com/wiki/MikroTik_SFP_module_compatibility_table

Mounting

The device is designed to use indoors and it can be mounted in a rackmount enclosure using provided rack mounts, or it can be placed on the desktop. Use a Phillips screwdriver to attach rackmount ears on both sides of the device if designated use is for

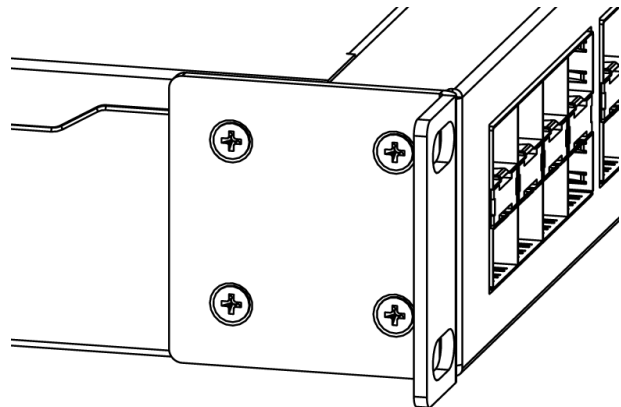
rackmount enclosure:

Attach rack ears to both sides of the device and tighten four screws to secure them in place, as shown in the picture.

- Place the device in a rackmount enclosure and align with the holes so that the device fits conveniently.
- Tighten screws to secure it in place.

The device has no protection from water contamination, please ensure the placement of the device in a dry and ventilated environment.

Mounting and configuration of this device should be done by a qualified person. We recommend using Cat6 cables for our devices.



Buttons and Jumpers

Hold this button during boot time until the LED light starts to flash. Release the button to reset SwOS configuration and load backup software for reinstallation and upgrade.

Operating system support

This device runs SwOS, which is the only supported OS for this device.

Federal Communication Commission Interference Statement



This equipment has been tested and found to comply with the limits for a Class A digital device, pursuant to Part 15 of the FCC Rules. These limits are designed to provide reasonable protection against harmful interference in a commercial installation.

This equipment generates, uses, and can radiate radio frequency energy and, if not installed and used in accordance with the instruction manual, may cause harmful interference to radio communications. Operation of this equipment in a residential area is likely to cause harmful interference in which case the user will be required to correct the interference at his own expense

FCC Caution: Any changes or modifications not expressly approved by the party responsible for compliance could void the user's authority to operate this equipment.

This device complies with Part 15 of the FCC Rules. Operation is subject to the following two conditions: (1) This device may not cause harmful interference, and (2) this device must accept any interference received, including interference that may cause undesired operation.

Note: This unit was tested with shielded cables on the peripheral devices. Shielded cables must be used with the unit to ensure compliance.

Innovation, Science and Economic Development Canada

This device contains license-exempt transmitter(s)/receiver(s) that comply with Innovation, Science, and Economic Development Canada's license-exempt RSS(s). Operation is subject to the following two conditions: (1) This device may not cause interference. (2) This device must accept any interference, including interference that may cause undesired operation of the device.

L'émetteur/récepteur exempt de licence contenu dans le présent appareil est conforme aux CNR d'Innovation, Sciences et Développement économique Canada applicables aux appareils radio exempts de licence. L'exploitation est autorisée aux deux conditions suivantes : 1) L'appareil ne doit pas produire de brouillage; 2) L'appareil doit accepter tout brouillage radioélectrique subi, même si le brouillage est susceptible d'en compromettre le fonctionnement.

This Class A digital apparatus complies with Canadian ICES-003.

Cet appareil numérique de la classe [A] est conforme à la norme NMB-003 du Canada.

CAN ICES-003 (A) / NMB-003 (A)

CE Declaration of Conformity

BG С настоящото Mikrotīkls SIA декларира, че този тип радиосъоръжение CSS610-8G-2S+IN е в съответствие с Директива 2014/30/ЕС. Цялостният текст на ЕС декларацията за съответствие може да се намери на следния интернет адрес: <https://mikrotik.com/products>

CS Tímto Mikrotīkls SIA prohlašuje, že typ rádiového zařízení CSS610-8G-2S+IN je v souladu se směrnicí 2014/30/EU. Úplné znění EU prohlášení o shodě je k dispozici na této internetové adrese: <https://mikrotik.com/products>

DA Hermed erklærer Mikrotīkls SIA , at radioudstyrstypen CSS610-8G-2S+IN er i overensstemmelse med direktiv 2014/30/EU. EU-overensstemmelseserklæringens fulde tekst kan findes på følgende internetadresse: <https://mikrotik.com/products>

DE Hiermit erklärt Mikrotīkls SIA , dass der Funkanlagentyp CSS610-8G-2S+IN der Richtlinie 2014/30/EU entspricht. Der vollständige Text der EU-Konformitätserklärung ist unter der folgenden Internetadresse verfügbar: <https://mikrotik.com/products>

EL Με την παρούσα ο/η Mikrotīkls SIA , δηλώνει ότι ο ραδιοεξοπλισμός CSS610-8G-2S+IN πληροί την οδηγία 2014/30/EE. Το πλήρες κείμενο της δήλωσης συμμόρφωσης EE διατίθεται στην ακόλουθη ιστοσελίδα στο διαδίκτυο: <https://mikrotik.com/products>

EN Hereby, Mikrotīkls SIA declares that the radio equipment type CSS610-8G-2S+IN is in compliance with Directive 2014/30/EU. The full text of the EU declaration of conformity is available at the following internet address: <https://mikrotik.com/products>

ES Por la presente, Mikrotīkls SIA declara que el tipo de equipo radioeléctrico CSS610-8G-2S+IN es conforme con la Directiva 2014/30/UE. El texto completo de la declaración UE de conformidad está disponible en la dirección Internet siguiente: <https://mikrotik.com/products>

ET Käesolevaga deklareerib Mikrotīkls SIA , et käesolev raadioseadme tüüp CSS610-8G-2S+IN vastab direktiivi 2014/30/EL nõuetele. ELi vastavusdeklaratsiooni täielik tekst on kättesaadav järgmisel internetiaadressil: <https://mikrotik.com/products>

FI Mikrotīkls SIA vakuuttaa, että radiolaitetyyppi CSS610-8G-2S+IN on direktiivin 2014/30/EU mukainen. EU-vaatimustenmukaisuusvakuutuksen täysimittainen teksti on saatavilla seuraavassa internetosoitteessa: <https://mikrotik.com/products>

FR Le soussigné, Mikrotīkls SIA , déclare que l'équipement radioélectrique du type CSS610-8G-2S+IN est conforme à la directive 2014/30/UE. Le texte complet de la déclaration UE de conformité est disponible à l'adresse internet suivante: <https://mikrotik.com/products>

HR Mikrotīkls SIA ovime izjavljuje da je radijska oprema tipa CSS610-8G-2S+IN u skladu s Direktivom 2014/30/EU. Cjeloviti tekst EU izjave o sukladnosti dostupan je na sljedećoj internetskoj adresi: <https://mikrotik.com/products>

HU Mikrotīkls SIA igazolja, hogy a CSS610-8G-2S+IN típusú rádióberendezés megfelel a 2014/30/EU irányelvnek. Az EU-megfelelőségi nyilatkozat teljes szövege elérhető a következő internetes címen: <https://mikrotik.com/products>

IT Il fabbricante, Mikrotīkls SIA , dichiara che il tipo di apparecchiatura radio CSS610-8G-2S+IN è conforme alla direttiva 2014/30/UE. Il testo completo della dichiarazione di conformità UE è disponibile al seguente indirizzo Internet: <https://mikrotik.com/products>

IS Hér með lýsir Mikrotīkls SIA því yfir að CSS610-8G-2S+IN er í samræmi við grunnkröfur og aðrar kröfur, sem gerðar eru í tilskipun 2014/30/EU. Fullur texti ESB samræmisýfirlýsingar er að finna á eftirfarandi veffangi: <https://mikrotik.com/products>

LT Aš, Mikrotīkls SIA , patvirtinu, kad radijo įrenginių tipas CSS610-8G-2S+IN atitinka Direktyvą 2014/30/ES. Visas ES atitikties deklaracijos tekstas prieinamas šiuo interneto adresu: <https://mikrotik.com/products>

LV Ar šo Mikrotīkls SIA deklarē, ka radioiekārta CSS610-8G-2S+IN atbilst Direktīvai 2014/30/ES. Pilns ES atbilstības deklarācijas teksts ir pieejams šādā interneta vietnē: <https://mikrotik.com/products>

MT B'dan, Mikrotīkls SIA , niddikjara li dan it-tip ta' tagħmir tar-radju CSS610-8G-2S+IN huwa konformi mad-Direttiva 2014/30/UE. It-test kollu tad-dikjarazzjoni ta' konformità tal-UE huwa disponibbli f'dan l-indirizz tal-Internet li ġej: <https://mikrotik.com/products>

NL Hierbij verklaar ik, Mikrotīkls SIA , dat het type radioapparatuur CSS610-8G-2S+IN conform is met Richtlijn 2014/30/EU. De volledige tekst van de EU-conformiteitsverklaring kan worden geraadpleegd op het volgende internetadres: <https://mikrotik.com/products>

NO Mikrotīkls SIA erklærer herved at utstyret CSS610-8G-2S+IN er i samsvar med de grunnleggende krav og øvrige relevante krav i direktiv 2014/30/EU. Den fulle teksten til EU-samsvarserklæringen er tilgjengelig på følgende internetadresse: <https://mikrotik.com/products>

PL Mikrotīkls SIA niniejszym oświadcza, że typ urządzenia radiowego CSS610-8G-2S+IN jest zgodny z dyrektywą 2014/30/UE. Pełny tekst deklaracji zgodności UE jest dostępny pod następującym adresem internetowym: <https://mikrotik.com/products>

PT O(a) abaixo assinado(a) Mikrotīkls SIA declara que o presente tipo de equipamento de rádio CSS610-8G-2S+IN está em conformidade com a Diretiva 2014/30/UE. O texto integral da declaração de conformidade está disponível no seguinte endereço de Internet: <https://mikrotik.com/products>

RO Prin prezenta, Mikrotik SIA declară că tipul de echipamente radio CSS610-8G-2S+IN este în conformitate cu Directiva 2014/30/UE. Textul integral al declarației UE de conformitate este disponibil la următoarea adresă internet: <https://mikrotik.com/products>

SK Mikrotik SIA týmto vyhlasuje, že rádiové zariadenie typu CSS610-8G-2S+IN je v súlade so smernicou 2014/30/EÚ. Úplné EÚ vyhlásenie o zhode je k dispozícii na tejto internetovej adrese: <https://mikrotik.com/products>

SL Mikrotik SIA potrjuje, da je tip radijske opreme CSS610-8G-2S+IN skluden z Direktivo 2014/30/EU. Celotno besedilo izjave EU o skladnosti je na voljo na naslednjem spletnem naslovu: <https://mikrotik.com/products>

SV Härmed försäkrar Mikrotik SIA att denna typ av radioutrustning CSS610-8G-2S+IN överensstämmer med direktiv 2014/30/EU. Den fullständiga texten till EU-försäkran om överensstämmelse finns på följande webbadress: <https://mikrotik.com/products>

Нет меток