

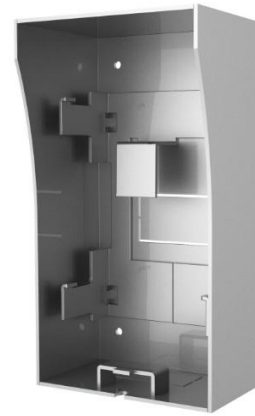
DS-KAB02 Protective Shield

Features and Notes

- Stainless steel material
- Convenient design available for the wall mounting of the villa door station (DS-KV8X02-IM) wall mounting
- No insulation

Available Model

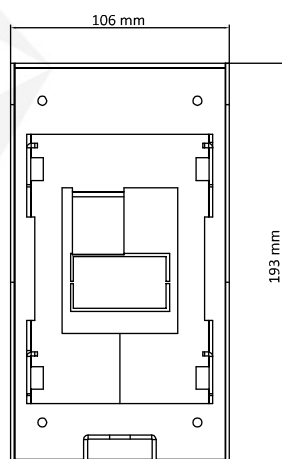
DS-KAB02



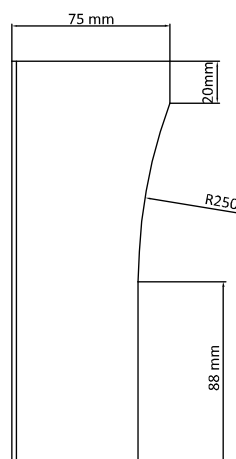
Specifications

Parameter	Model	DS-KAB02
Housing material		Stainless Steel SUS201
Inner-shell material		SGCC
Working temperature		-30° C to +70° C (-22° F to 158° F)
Working humidity		10% to 90%
Dimension (L x W x H)		193 mm × 106 mm × 88 mm (7.60" × 4.17" × 3.15")

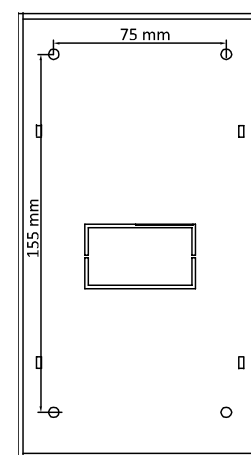
Dimension



Front View



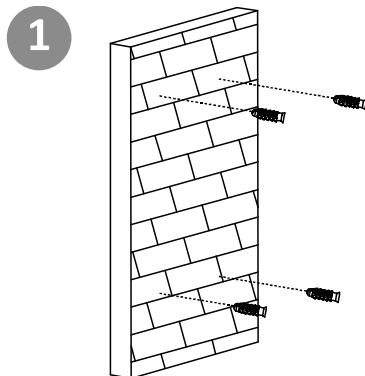
Slide View



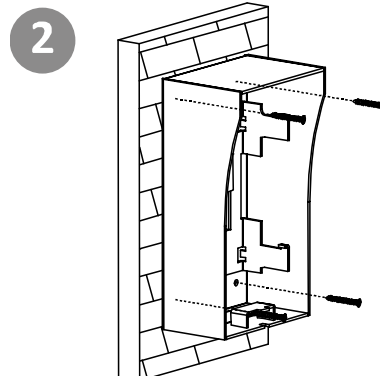
Rear View



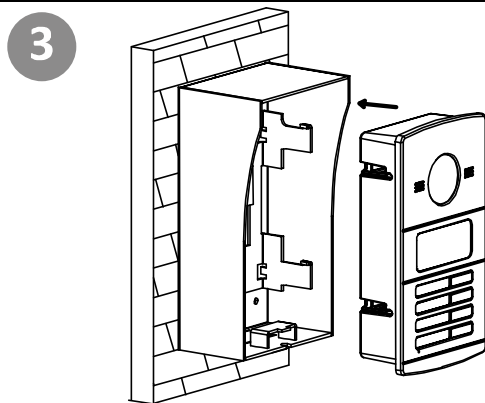
Installation



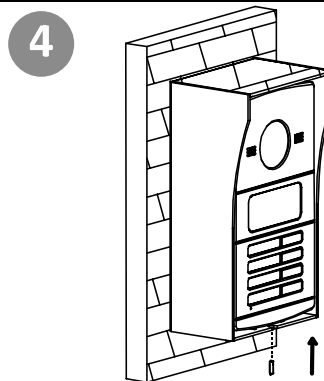
1
Insert 4 expansion tubes into the wall.



2
Fix the protective shield on the wall with 4 screws.



3
Install the door station into the protective shield.



4
Secure the door station with the shield with a set screw.

Distributed by



HIKVISION®

Headquarters

No.555 Qianmo Road, Binjiang District,
Hangzhou 310051, China
T +86-571-8807-5998
overseasbusiness@hikvision.com

Hikvision USA
T +1-909-895-0400
sales.usa@hikvision.com

Hikvision Italy
T +39-0438-6902
info.it@hikvision.com

Hikvision Singapore
T +65-6684-4718
sg@hikvision.com

Hikvision Africa
T +27 (0) 0351172
sale.africa@hikvision.com

Hikvision Europe
T +31-23-55-42-770
info.eu@hikvision.com

Hikvision France
T +33(0)1-85-330-450
info.fr@hikvision.com

Hikvision Oceania
T +61-2-8599-4233
salesau@hikvision.com

Hikvision Hong Kong
T +852-2151-1761

Hikvision Middle East
T +971-4-8816086
salesme@hikvision.com

Hikvision Spain
T +34-91-737-16-55
info.es@hikvision.com

Hikvision Canada
T +1-909-895-0400
sales.usa@hikvision.com

Hikvision Russia
T +7-495-669-67-99
saleru@hikvision.com

Hikvision Poland
T +48-22-460-01-50
poland@hikvision.com

Hikvision Korea
T +82-31-731-8841
sales.korea@hikvision.com

Hikvision India
T +91-22-28469900
sales@pramahikvision.com

Hikvision UK
T +01628-902140
support.uk@hikvision.com

Hikvision Brazil
T +55 11 3318-0050
Latam.support@hikvision.com